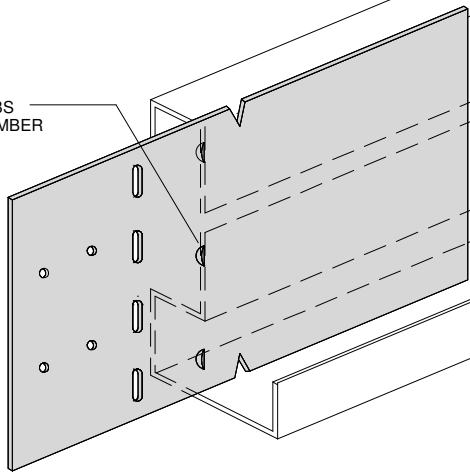
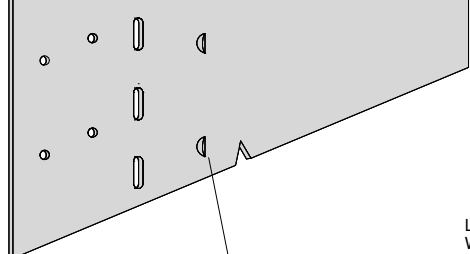


POSITIONING TABS
FOR USE WITH USC MATERIAL

LINE UP POSITIONING TABS
WITH END OF CHORD MEMBER

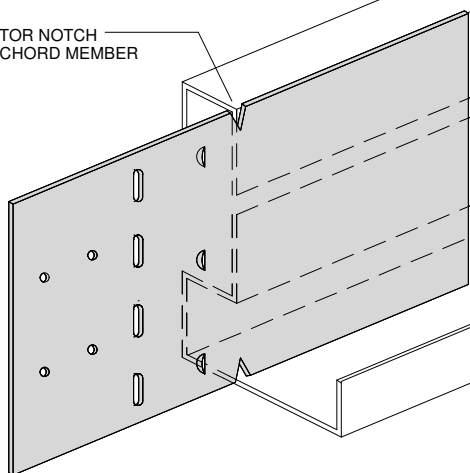
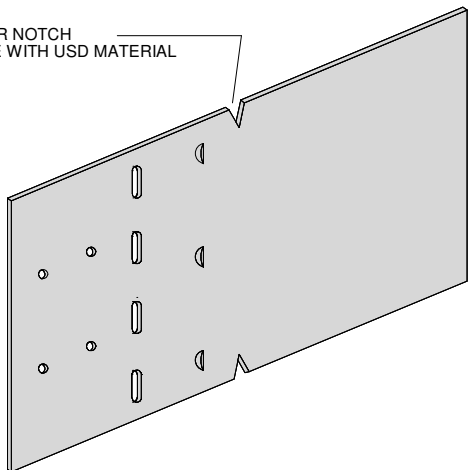
USC CHORD



LINE UP LOCATOR NOTCH
WITH END OF CHORD MEMBER

USD CHORD

LOCATOR NOTCH
FOR USE WITH USD MATERIAL



AEGIS
METAL FRAMING a division of MITEK®
www.AEGISMETALFRAMING.COM
14515 N. Outer 40 Drive Suite 110
Chesterfield, MO 63017
Phone:866/902-3447 Fax:314/434-5234

LOCATING USKW ON
USC AND USD CHORDS

DETAIL NO.

USKW-1

CATEGORY

STANDARD DETAILS

DATE

6/15/2009