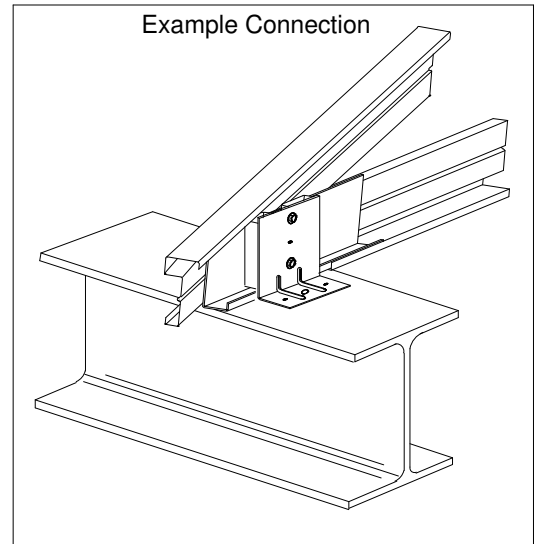
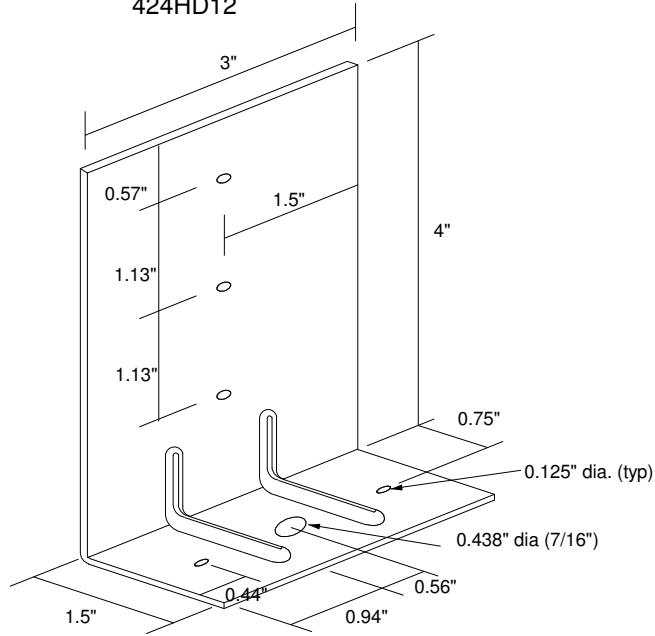
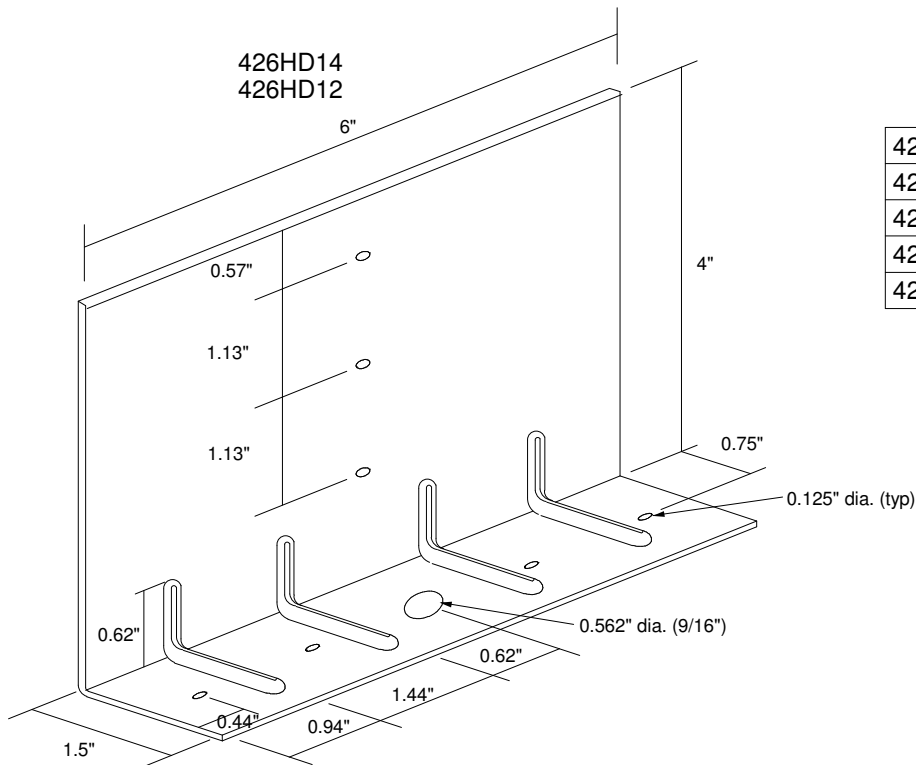


423HD16  
423HD14  
424HD12

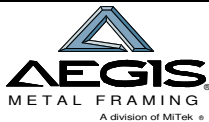


426HD14  
426HD12



	Material Thickness	Maximum Uplift
423HD16	057 mil	650 lbs
423HD14	073 mil	1210 lbs <sup>2</sup>
423HD12	097 mil	1400 lbs
426HD14	073 mil	2105 lbs <sup>2</sup>
426HD12	097 mil	2955 lbs <sup>2</sup>

1. Attachment to support to be designed by qualified registered design professional.
2. Max uplift dependent on fastener configuration.



www.AegisMetalFraming.com  
14515 N. Outer 40 Drive - Suite 110  
Chesterfield, MO 63017  
Phone: (866) 902-3447 Fax: (314) 434-5234

423HD16/423HD14/423HD12  
426HD14/426HD12  
HOLD DOWN CLIP

DETAIL NO.

42xHD

CATEGORY

Connector

DATE

8/2012