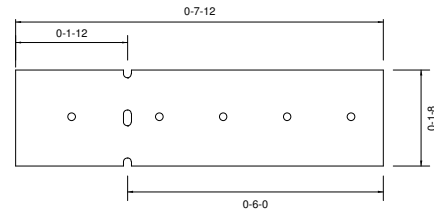
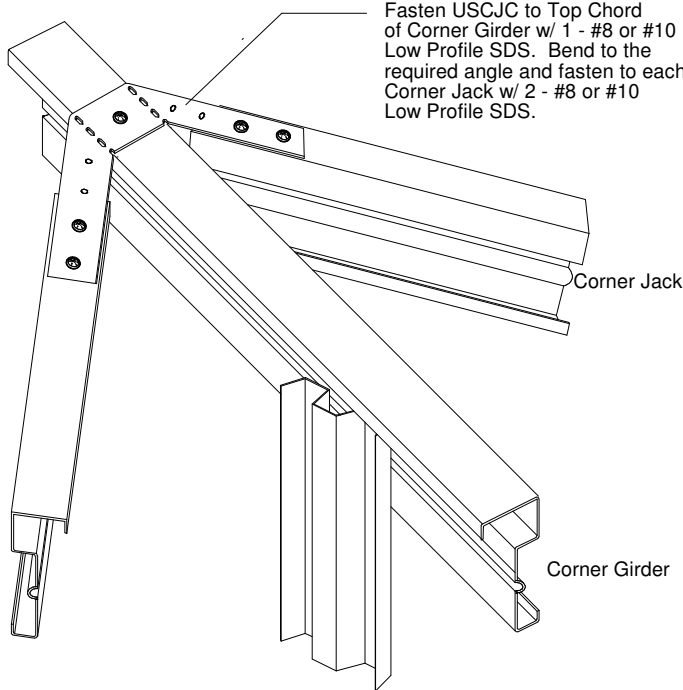


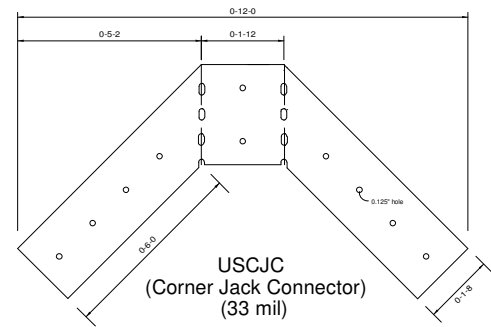
Fasten USTCC to Top Chord of Hip Girder w/ 1 - #8 or #10 Low Profile SDS. Bend to the required angle and fasten to Common Jack w/ 2 - #8 or #10 Low Profile SDS.



USTCC
(Top Chord Connector)
(35 mil)



Fasten USCJC to Top Chord of Corner Girder w/ 1 - #8 or #10 Low Profile SDS. Bend to the required angle and fasten to each Corner Jack w/ 2 - #8 or #10 Low Profile SDS.



USCJC
(Corner Jack Connector)
(33 mil)

Maximum Horizontal Reaction
of Corner Jack = 200 lbs
Identical Jacks must tie in at the
same point of corner girder.



www.AegisMetalFraming.com

14515 N. Outer 40 Drive - Suite 110
Chesterfield, MO 63017

Phone: (866) 902-3447 Fax: (314) 434-5234

TRUSS TO TRUSS CONNECTION USTCC/USCJC

Use USTCC and USCJC to Attach Top Chord
of Jack Truss to Top Chord of Girder.

DETAIL NO.

CJCTCC-1

CATEGORY

STANDARD DETAILS

DATE

1/2010